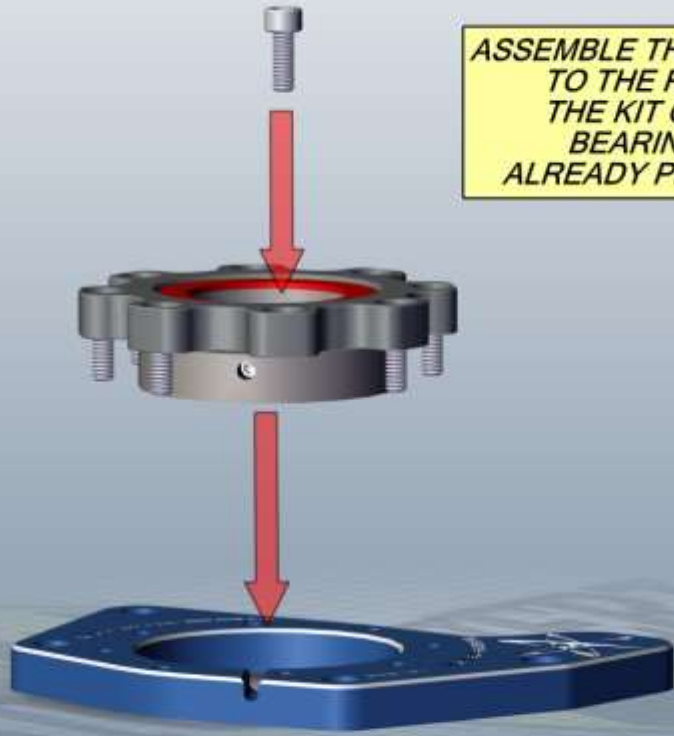


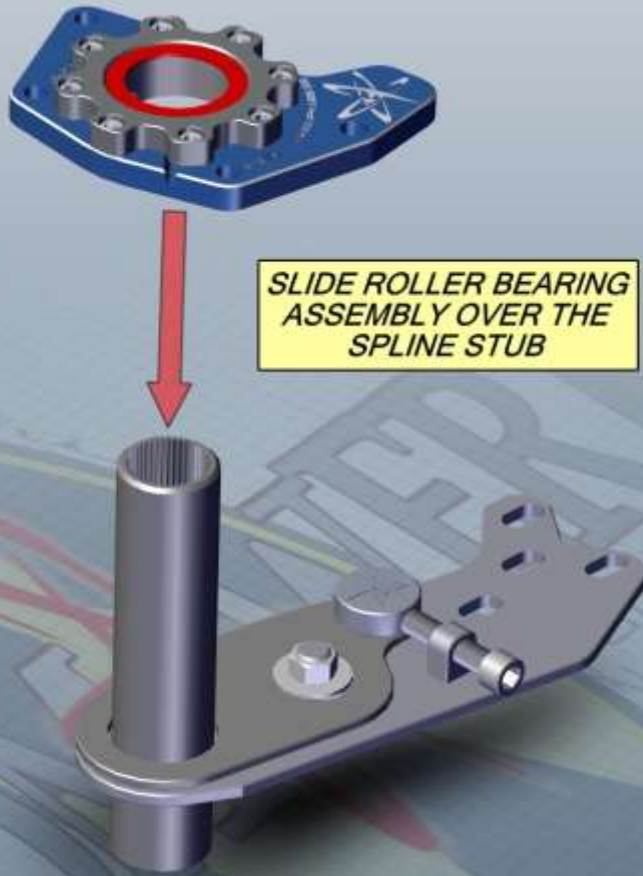
**INSTALLATION INSTRUCTIONS FOR
THE ROLLER BEARING RETAINER**

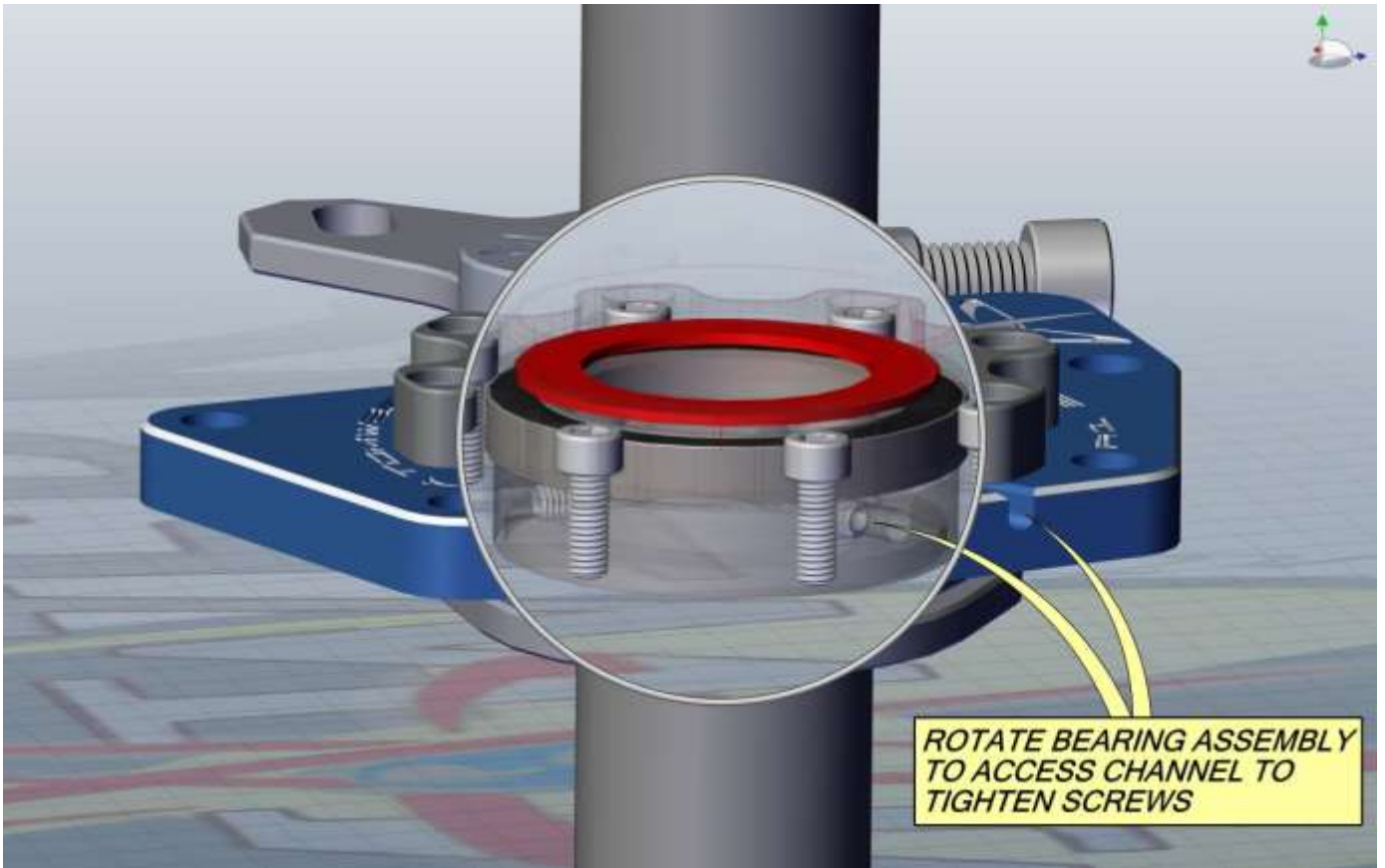


**ASSEMBLE THE BEARING ASSEMBLY
TO THE RETAINER PLATE.
THE KIT COMES WITH THE
BEARING ASSEMBLIES
ALREADY PRESSED TOGETHER.**



**SLIDE ROLLER BEARING
ASSEMBLY OVER THE
SPLINE STUB**



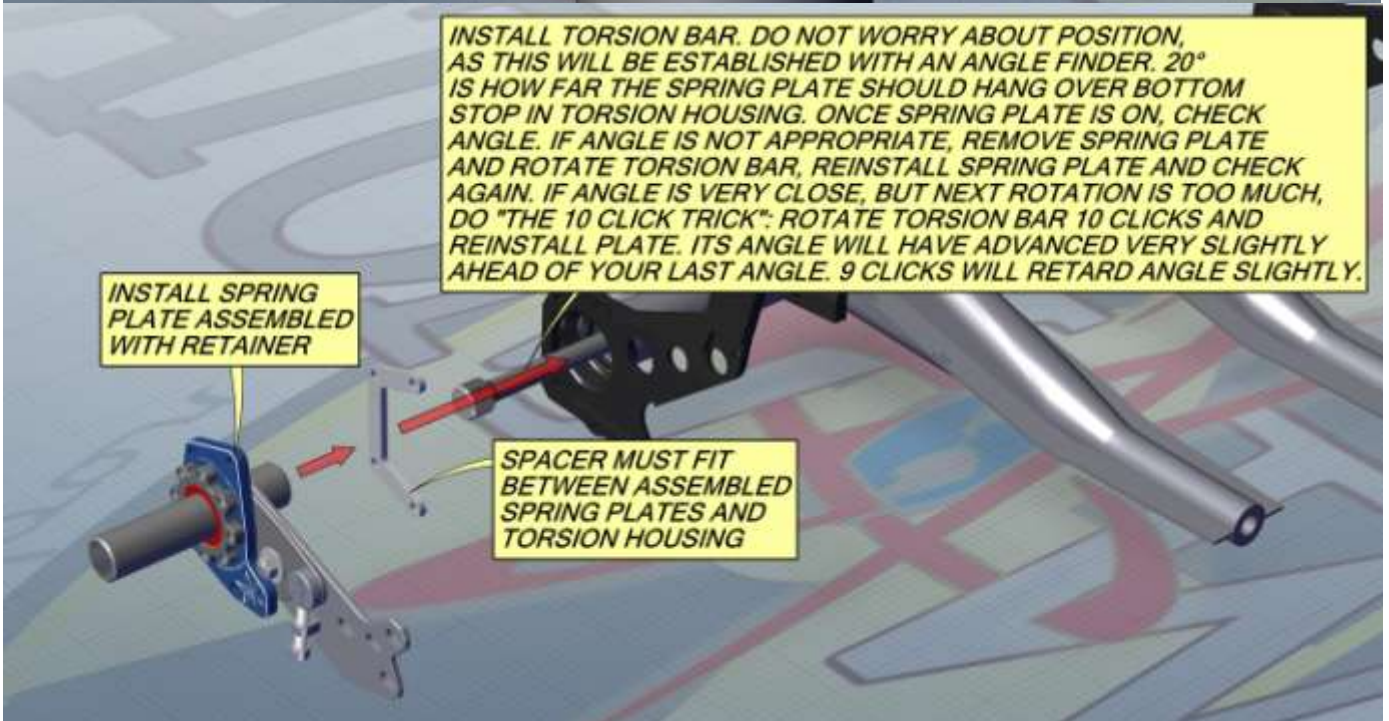


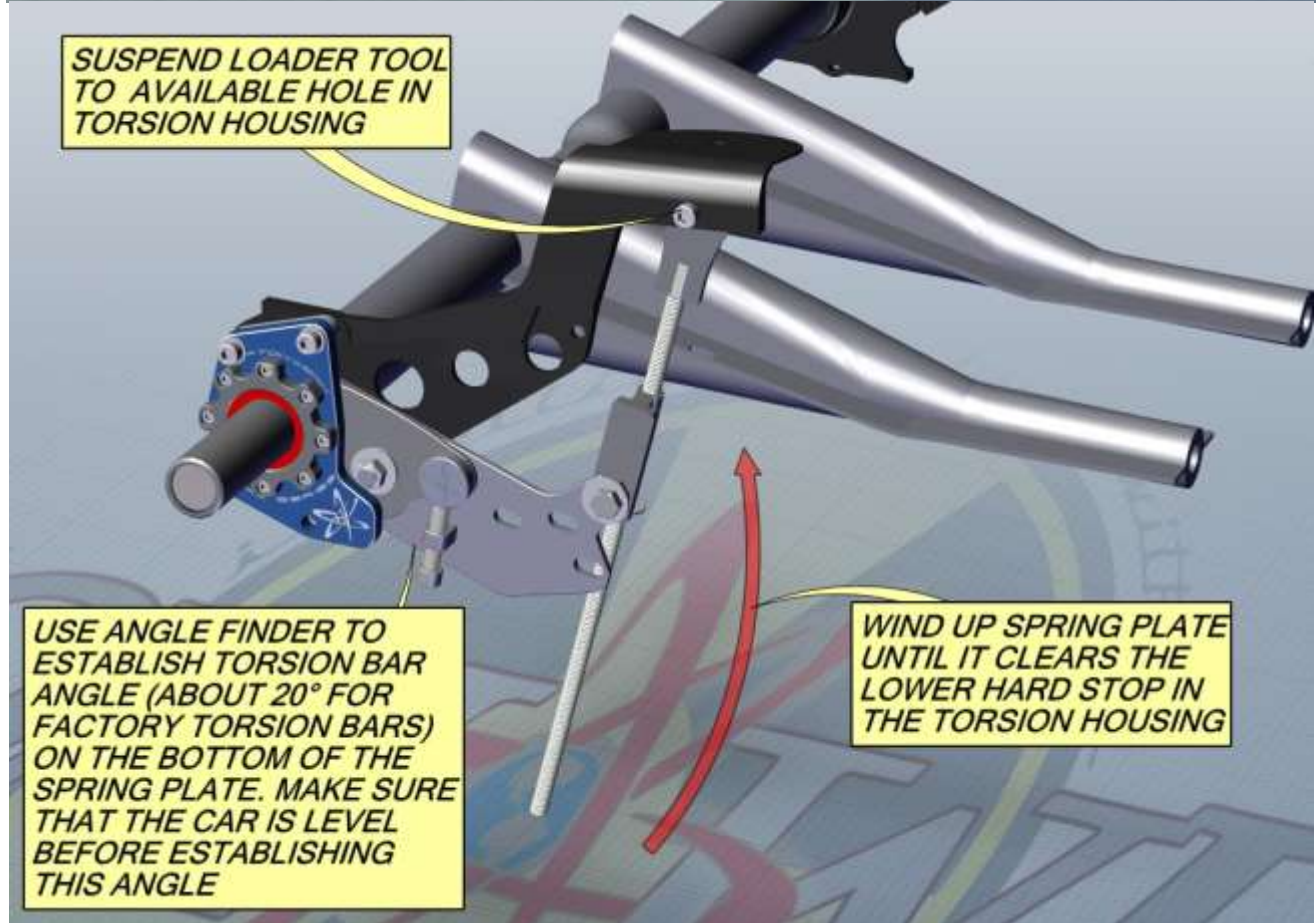
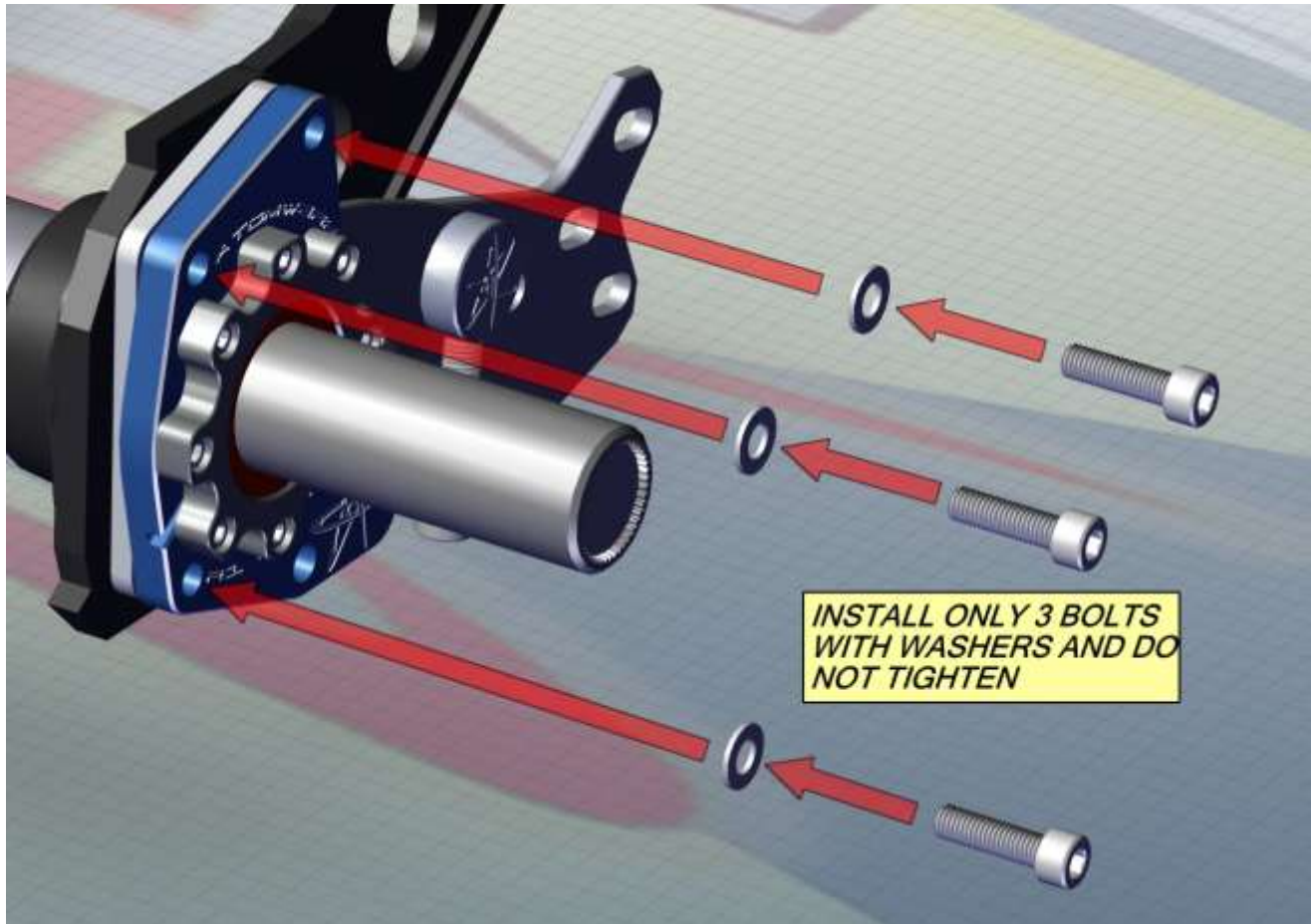
ROTATE BEARING ASSEMBLY TO ACCESS CHANNEL TO TIGHTEN SCREWS

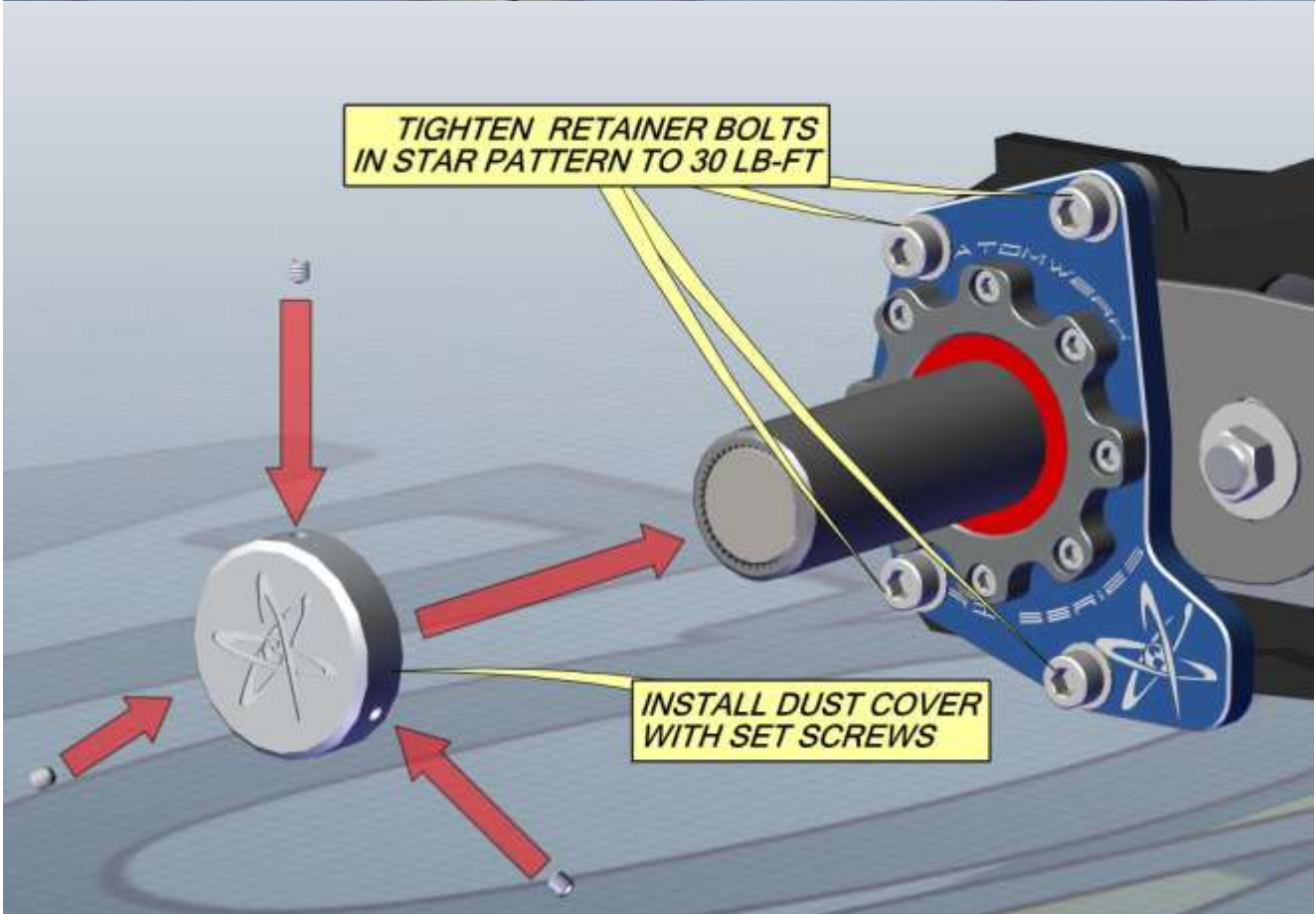
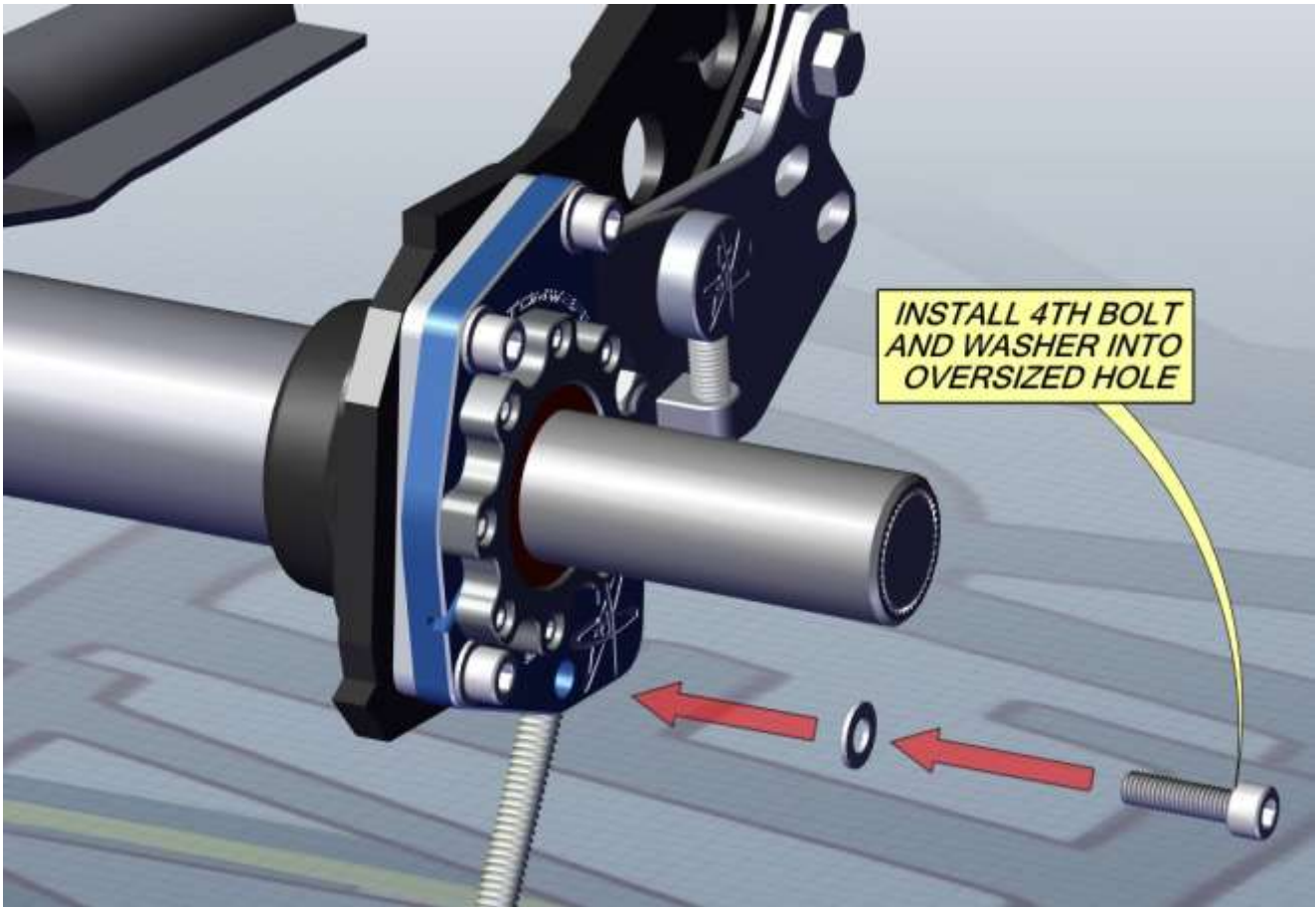
INSTALL TORSION BAR. DO NOT WORRY ABOUT POSITION, AS THIS WILL BE ESTABLISHED WITH AN ANGLE FINDER. 20° IS HOW FAR THE SPRING PLATE SHOULD HANG OVER BOTTOM STOP IN TORSION HOUSING. ONCE SPRING PLATE IS ON, CHECK ANGLE. IF ANGLE IS NOT APPROPRIATE, REMOVE SPRING PLATE AND ROTATE TORSION BAR, REINSTALL SPRING PLATE AND CHECK AGAIN. IF ANGLE IS VERY CLOSE, BUT NEXT ROTATION IS TOO MUCH, DO "THE 10 CLICK TRICK": ROTATE TORSION BAR 10 CLICKS AND REINSTALL PLATE. ITS ANGLE WILL HAVE ADVANCED VERY SLIGHTLY AHEAD OF YOUR LAST ANGLE. 9 CLICKS WILL RETARD ANGLE SLIGHTLY.

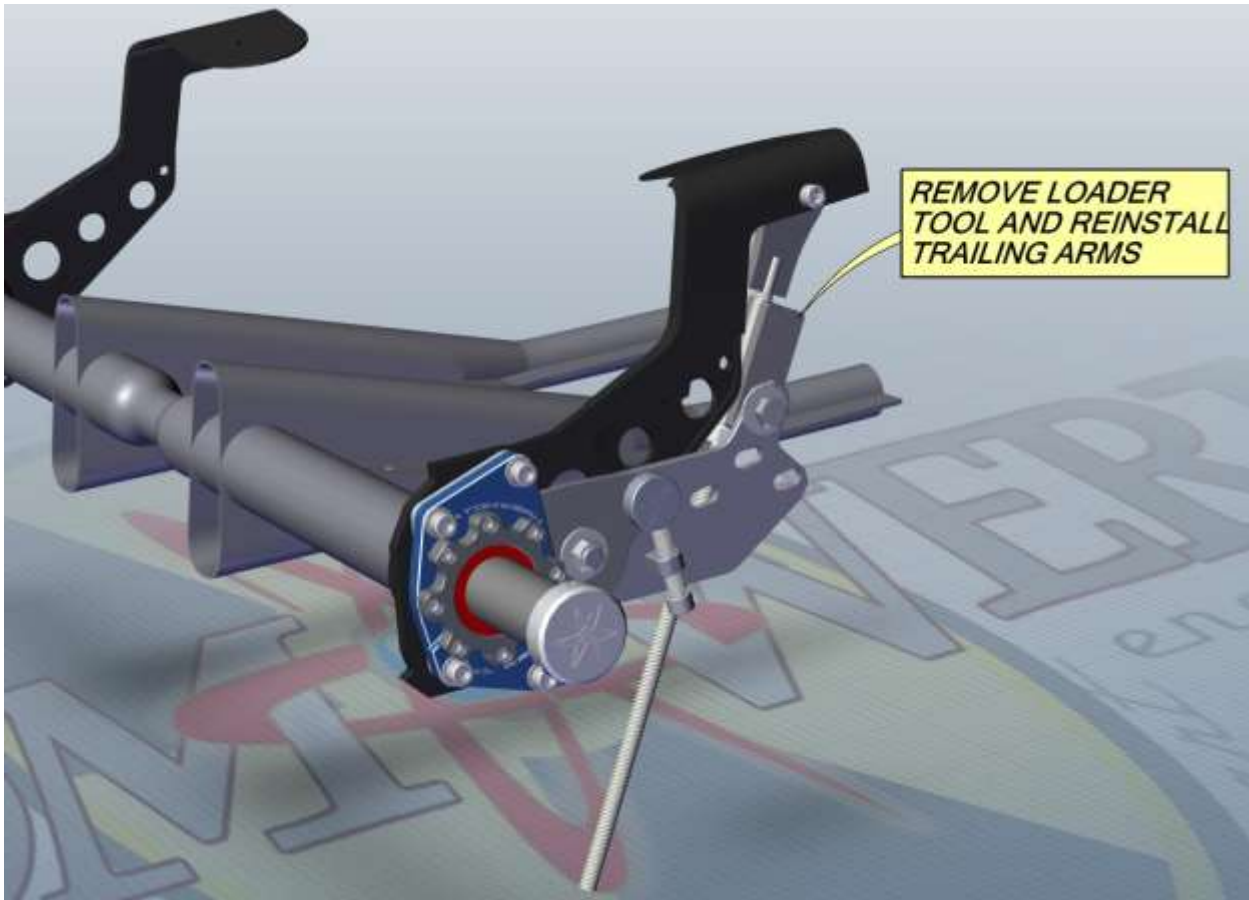
INSTALL SPRING PLATE ASSEMBLED WITH RETAINER

SPACER MUST FIT BETWEEN ASSEMBLED SPRING PLATES AND TORSION HOUSING









REMOVE LOADER
TOOL AND REINSTALL
TRAILING ARMS